

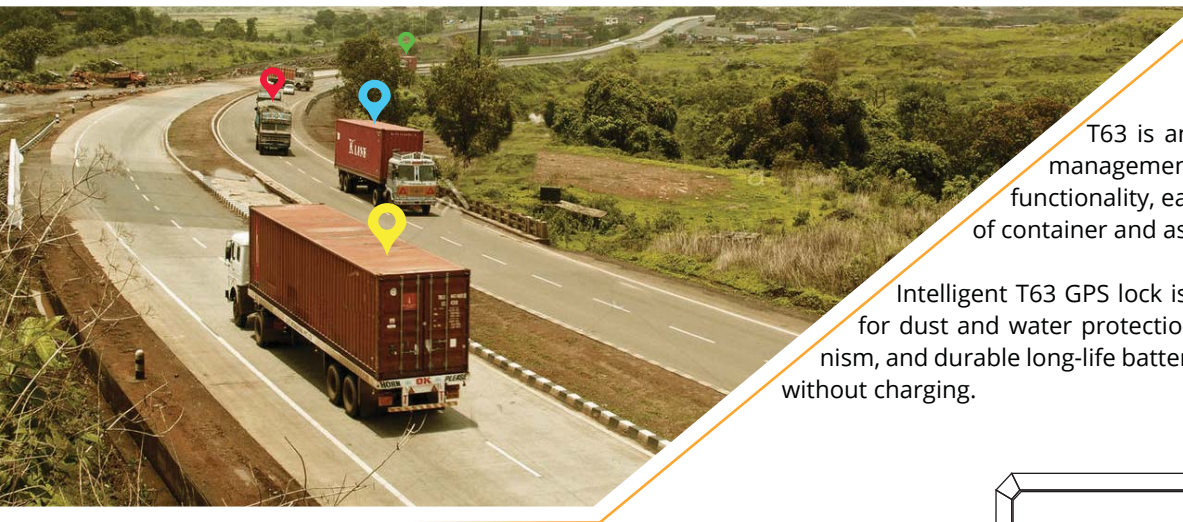
Advanced Tracking and Remote Monitoring for Container and High Value Mobile Assets

Skycube

GPS Container Tracker T63

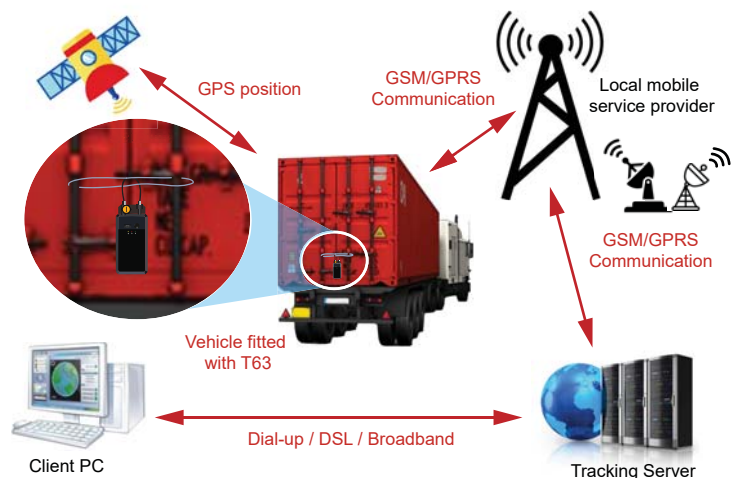
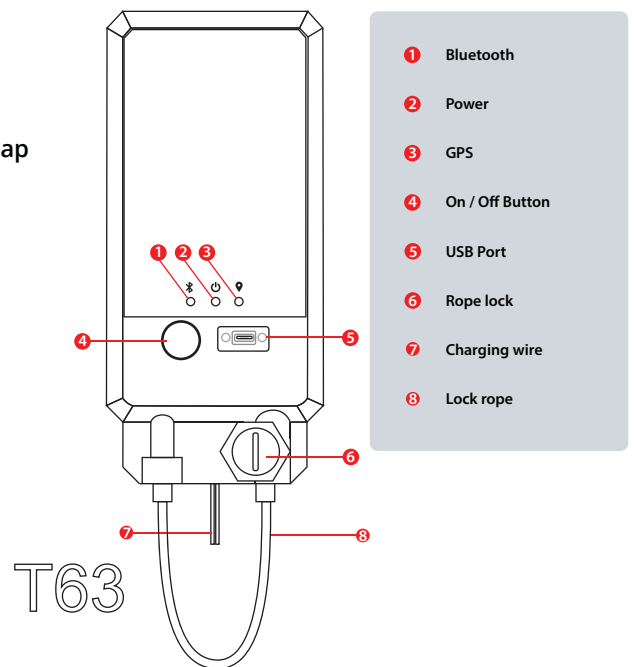
T63 is an IoT based tracking and asset management application, with enhanced functionality, easy installation, for a wide range of container and asset tracking applications.

Intelligent T63 GPS lock is equipped with IP65 enclosure for dust and water protection, tampering detection mechanism, and durable long-life battery to run for more than a month without charging.



Information You Get

- Exact location of the container and complete visualization on map
- Global roaming and seamless coverage
- Expected time of arrival of your consignment
- Long life battery that runs for more than a month
- Door Open /Closed alerts
- Lock rope cut alerts
- Battery charge level and status alerts
- Back cover open alerts
- Temperature / Humidity Sensor integrations
- WiFi, Bluetooth enabled for intermodal transportation
- Dual SIM slots for continuous connectivity
- LEDs for monitoring
- Zone in and zone out alerts
- Magnetic mount for attachments
- Remote configuration through OTA
- Installation / Removal alerts



Key Features

- **A stand-alone unit** operated by rechargeable batteries
- **Fast and easy installation** – Simply attach with the lock and fix on the magnetic mount
- **Easily configurable** – with different kinds and types of sensors – temperature, humidity, light, door
- **Geo-fencing** – Easily create geo-fences, stops, schedules, zones – provides you intelligent reports on when the shipment has entered or left a certain location
- **Built-in accelerometer** – Keeps you about sudden changes in movements and provides related alerts
- **Built-in Memory** – Provides you location data for the time and region when the shipment was out of coverage
- **Connectivity** – Has WiFi and Bluetooth connectivity, can latch on to the WiFi of the Ships during deep sea transport
- **Web-based system** – Easy map based system you can view and get reports from through your own browser and Mobile Apps
- **Routes and Trips** – Easily create routes and trips for the shipments and containers

Applications

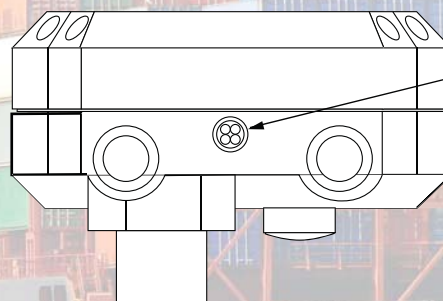
- Cargo Transportation
- Security companies
- Custom Operations
- Commercial and Retails transportation

Benefits

- Complete control on the container shipment remotely
- End-to-end visualization of your shipment throughout the routes and trips
- Real-time monitoring
- Improved control on your input raw materials for production planning
- Improved control on your outward shipments for logistics
- Complete security of your valuable assets

Specifications

- 15000 – 18000 mAh battery (12 days to one month operation without external power)
- Recharging time between 8-10 hours
- Input 24V operation
- High precision GPS
- GSM (Dual SIM)
- UBLOX-8 GPS, Accuracy upto 5 Meters
- AGPS Support
- Weight not more than 1 KG
- Accelerometer for movement detection
- -20 to +85 Celsius
- IP67 enclosure
- Internal Antenna
- Casing is fully tamper proof and sends an alert to server if tried to open.
- PC Configuration Connector
- 32 bit Micro Controller, 40Mhz low Power Consumption
- 3 LED indication status (External Power / Battery, GPS Connected, GSM Connected)
- Steel String Locking System
- Magnet on base to hold the device in place with the metal bracket
- 2 power input source
 - o 1 which will be battery plugged with container power distribution point
 - o 1 for easy plug-in from truck power bank source if required
- Alerts from Device
 - o Low Battery indication
 - o Tampering of device
 - o Geo-Fencing (at least 10)
- Manual key to lock / unlock string attached
- Dimension: 210mm X 130 mm X 45 mm (width has to be fixed since the device has to fit in the groove of the outer wall of the container)
- On-Board Accelerometer
- Certification: CE, RoHS, IP67



Charging port for 12V - 240V from vehicle battery

Note: Inside the device there is a switch which gets pressed when the device is in Lock position. This switch gets released if anyone tries to tamper or unlock the device and an SMS is sent to some pre set numbers.

Manufactured by:

Skycube Networks Pvt. Ltd.

Om Chambers, No. 648, Unit No. A8, 3rd Floor Binnamangala, 1st Stage, Hoysala Garden,
100 Feet Road Cross, Indira Nagar, Bengaluru - 560038, Karnataka,
Phone: +91 80 4851 8391, www.skycube.in